

Wide Span Shelving M66



The Strength of Simplicity

Wide Span Shelving M66.

EnnovaRacks



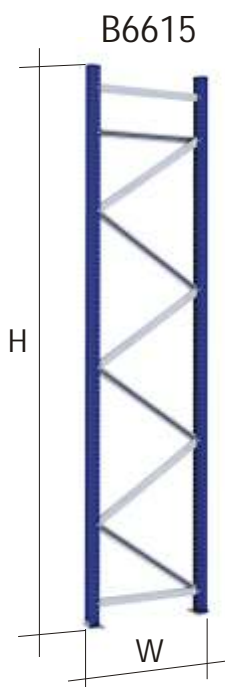
- Wide span shelving system for every type of goods and products.
- Custom-made configuration by combining frames and levels.
- Levels height adjust every 25 mm.



System Components

Frames

A frame consists of two perforated uprights, connected by a bracing made of horizontals and diagonals bolted to the uprights.



BM6615



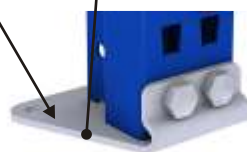
Upright
Pregalvanized



Upright
Column
M6615

Horizontals
and
Diagonals

Base plate M66



Technical characteristics:

Frames:

	B6615	BM6615
Min/Max Height (H)*	2500 / 5500 mm.	1500 / 3250 mm.
Frames Width (W)	400 - 600 - 800 - 1000 mm.	

* The frames standard heights increase in steps of 250 mm.

Upright columns M6615:

Dimensions: 50X51,65 mm.

Thickness: 1,5 mm.

Finishing: - Blue 5019.

- Pregalvanized.

Horizontals/Diagonals:

Thickness: 1,5 mm.

Finishing: Pregalvanized.

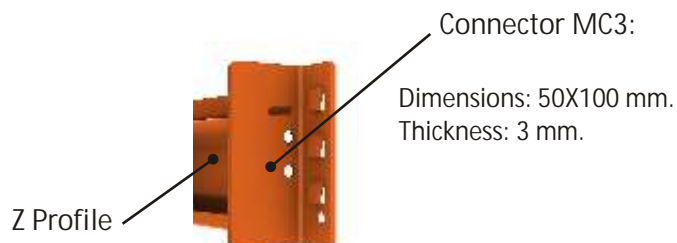
Base plate M66:

Thickness: 3 mm.

Finishing: Pregalvanized.

Beams

A beam is a strong horizontal member used to support the load. It's made of a Z profile with two welded connectors at both ends. The connectors have stamped hooks every 25 mm. thus connecting them to the upright front holes.



Standard models:



Beam Z35



Beam Z55e



Beam Z65e

Thickness	1,5 mm.
Connector	MC3
Standard lengths (mm.)	890-1070-1250 1425-1605-1785-1960
Finishing	Orange 2004

Thickness	1,5 mm. - 1,8 mm.
Connector	MC3
Standard lengths (mm.)	1070-1250-1425-1605 1785-1960-2140-2315
Finishing	Orange 2004

Thickness	1,8 mm. - 2 mm.
Connector	MC3
Standard lengths (mm.)	1425-1605-1785-1960- 2140-2315-2500-2675
Finishing	Orange 2004



Beam Z85e



Gran Milano Beam



Beam MV

Thickness	2 mm.
Connector	MC4
Standard lengths (mm.)	1425-1605-1785-1960 2140-2315-2500-2675
Finishing	Orange 2004

Thickness	1,5 mm.
Connector	MC3
Standard lengths (mm.)	890-1070-1250-1425- 1605-1785
Finishing	Orange 2004

Thickness	2mm. - 2,3 mm. - 3mm.
Standard lengths (mm.)	890-1070-1250-1425
Finishing	Orange 2004

■ **Load capacity:** Maximum load per shelf (pair of beams) uniformly distributed and expressed in units of Kg.

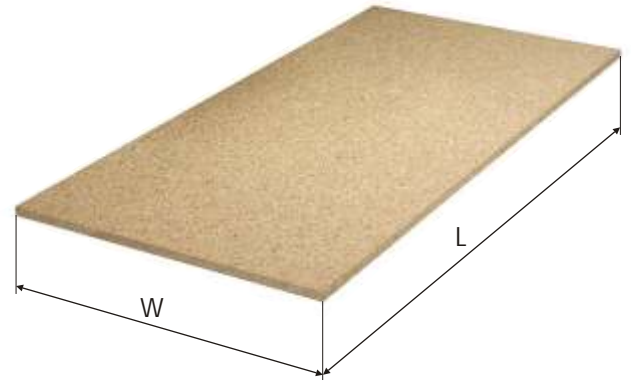
Modelo	Longitudes estándar (mm.)										
	890	1070	1250	1425	1605	1785	1960	2140	2315	2500	2675
Z35	618	531	468	421	383			-	-	-	-
Z55e		1103	958	852	767	698	643*	596*		-	-
Z65e	-	-	-		1052	954	877*	809*	755*	690*	610*
Z85e	-	-	-								
Gran Milano	756	628	538	472	419	377	-	-	-	-	-
MV (2 mm.)	145	125	100	80	-	-	-	-	-	-	-
MV (2,3 mm.)	190	165	130	105	-	-	-	-	-	-	-
MV (3 mm.)	330	300	270	240	-	-	-	-	-	-	-

* It is recommended to use at least a crossmember in the center of the span to avoid lateral buckling (torsion) of the Z section profile beam.

Accessories.

Chipboard panels PA66

Chipboard panels designed to fit perfectly in each bay. They lean on the beams.

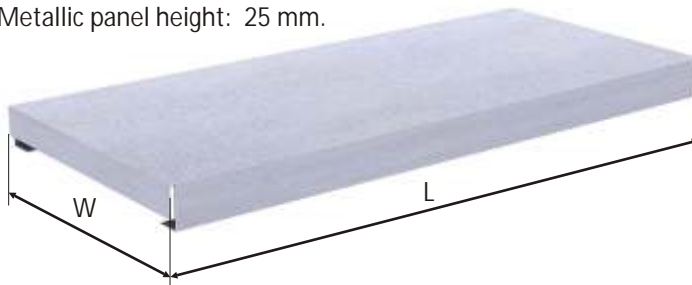


Chipboard panel height: 22 mm.

Beam length (mm.)	Chipboard panel length (L) (mm.)	Panels length depending on frames width (mm.) (W)			
		For widths of:			
		400	600	800	1000
890	888	394	594	794	994
1070	1068	394	594	794	994
1250	1248	394	594	794	994
1425	1423	394	594	794	994
1605	1603	394	594	794	994
1785	1783	394	594	794	994
1960	1958	394	594	794	994
2140	2138	394	594	794	994
2315	2313	394	594	794	994
2500	2498	394	594	794	994
2675	2673	394	594	794	994

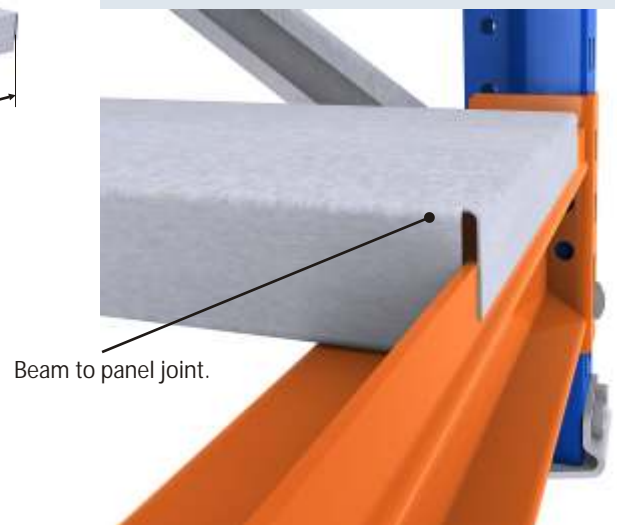
Metallic panels M66

Metallic panel height: 25 mm.



Metallic panels manufactured in pregalvanized steel 0,8 & 1 mm. thick, easy to clean and corrosion-free.

Frame depth (mm.)	L (mm.)	W (mm.)
400	402	178
600	602	178
800	802	178
1000	1002	178

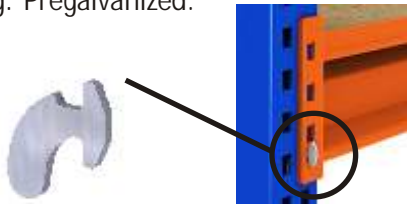


N° Panels	Standard beam lengths (mm.)										
	890	1070	1250	1425	1605	1785	1960	2140	2315	2500	2675
	5	6	7	8	9	10	11	12	13	14	15

Safety clip CME

Element designed to avoid accidentally disengaging of beams.

Finishing: Pregalvanized.

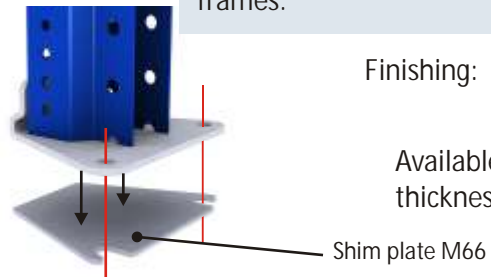


Shim plate M66

Element designed to help levelling of frames.

Finishing: Pregalvanized.

Available in thickness of 1 & 2 mm.



Frames spacer DC50

Lengths: 100 - 150 - 200 - 300 - 400 - 500 mm.
Finishing: Blue 5019.



Joining element bolted to two frames placed at the same level to maintain a constant distance between two alignments of modules.

Crossmember

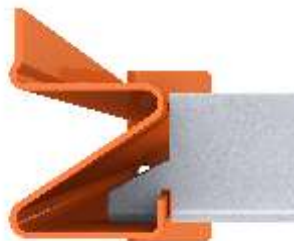
Standard models:
Finishing: Pregalvanized.

Element designed to carry loads, it is placed on two beams of the same shelf without the need of joining elements.

Crossmember T35



Designed to be used together with beams Z35.



Crossmember T55



Designed to be used together with beams Z55e.



Crossmember T65



Designed to be used together with beams Z65e.



Crossmember T85

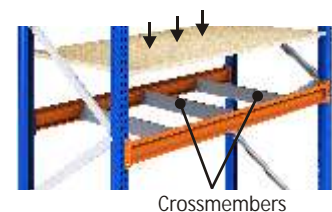


Designed to be used together with beams Z85e.



Crossmember RM42

Designed for use with all beams.



Applications

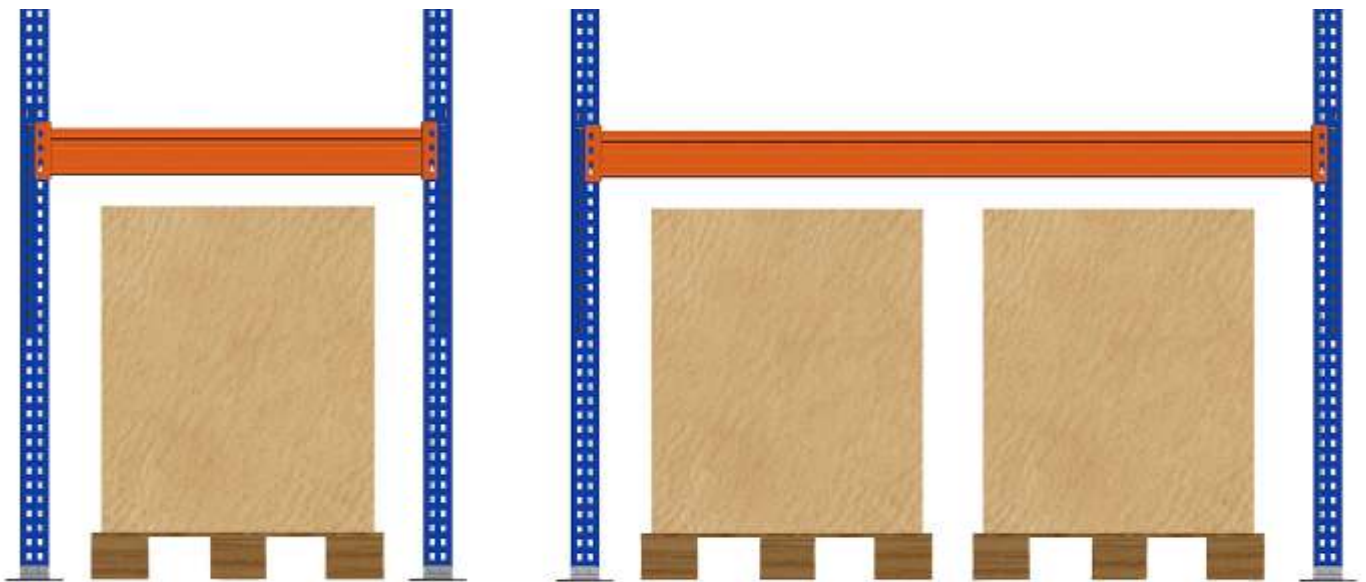
The range of standard beams allows the storage at floor level of pallet loads.

Storage of pallet loads at floor level:

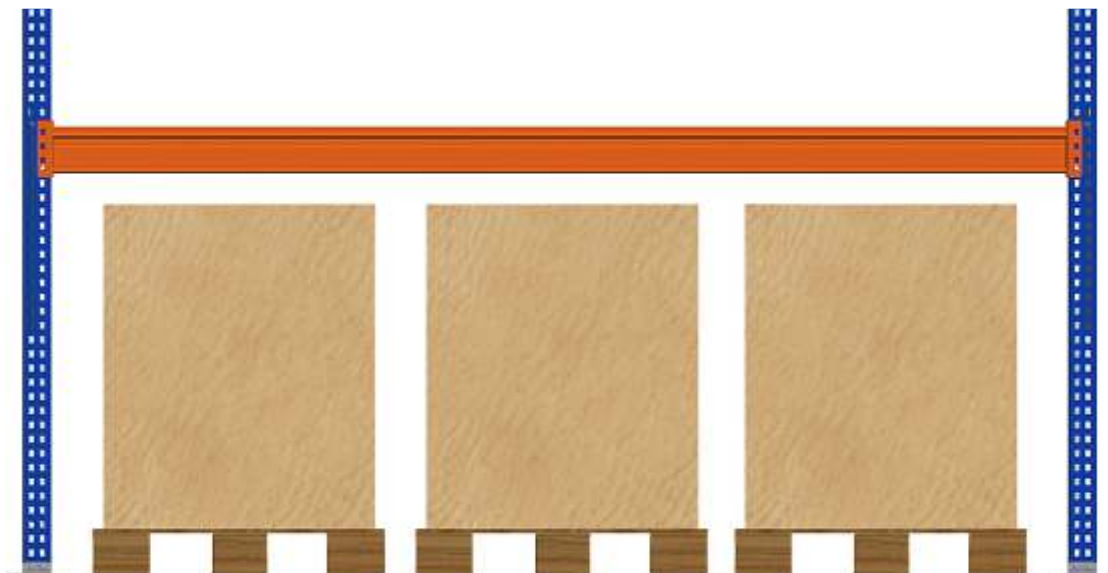
Dimensions of pallet (mm)	Lengths of standard beams (mm.)										
	890	1070	1250	1425	1605	1785	1960	2140	2315	2500	2675
800x1200 ⁽¹⁾	1 pallet	1 pallet	1 pallet	1 pallet	1 pallet	2 pallets	2 pallets	2 pallets	2 pallets	3 pallets	3 pallets
1000x1200 ⁽²⁾	-	1 pallet	1 pallet	1 pallet	1 pallet	1 pallet	1 pallet	2 pallets	2 pallets	2 pallets	2 pallets

⁽¹⁾ Storage front: 800 mm.

⁽²⁾ Storage front: 1000 mm.

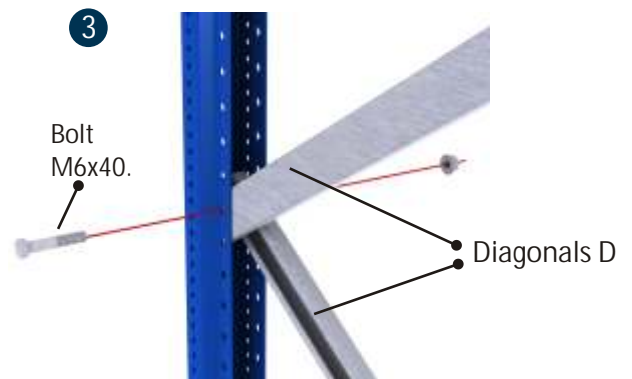
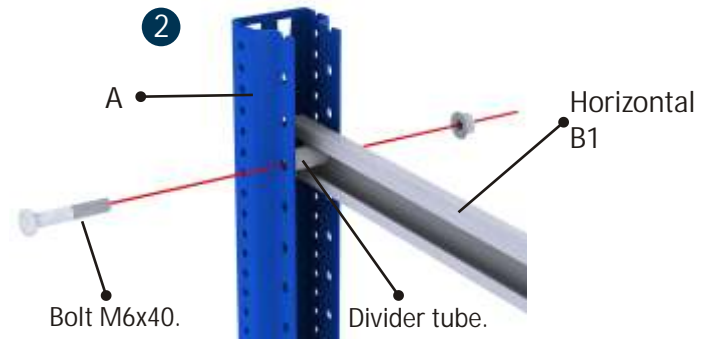
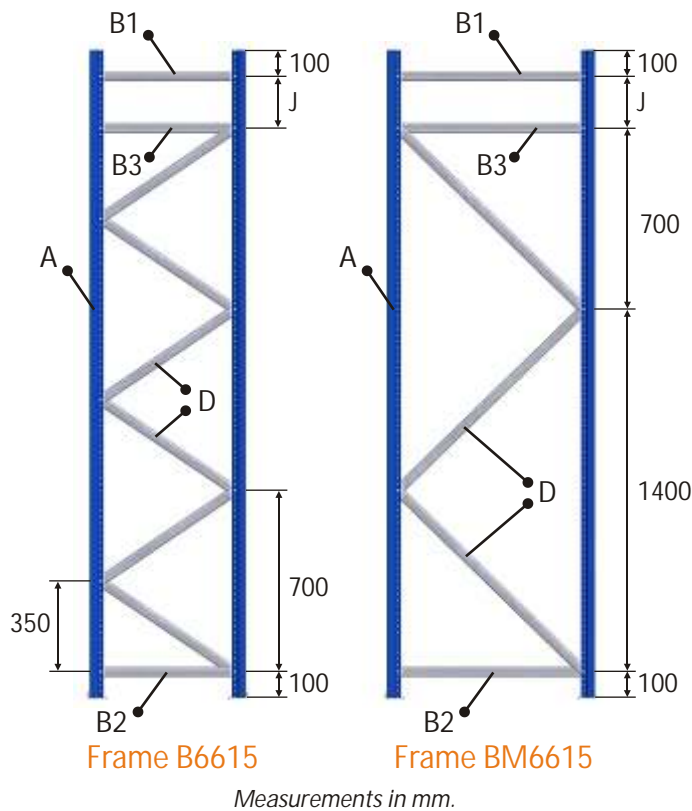


Examples of pallet storage at floor level with standard beams.

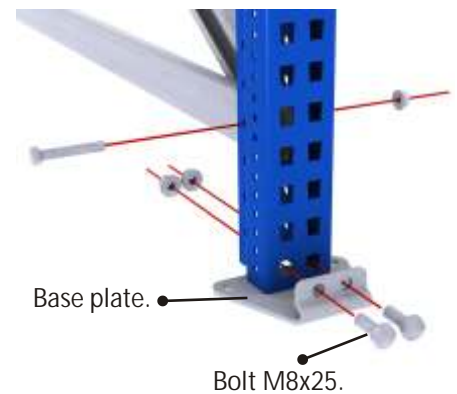


Frames assembly:

- 1 Place de upright columns (A) horizontal and parallel to each other.
- 2 Fix the top horizontal end (B1) to the upright columns.
- 3 Fix the low horizontal end (B2) and continue with the diagonals (D), finishing with the horizontal (B3) according to the following scheme:
(Level "J" should be within 100 and 700 mm.)

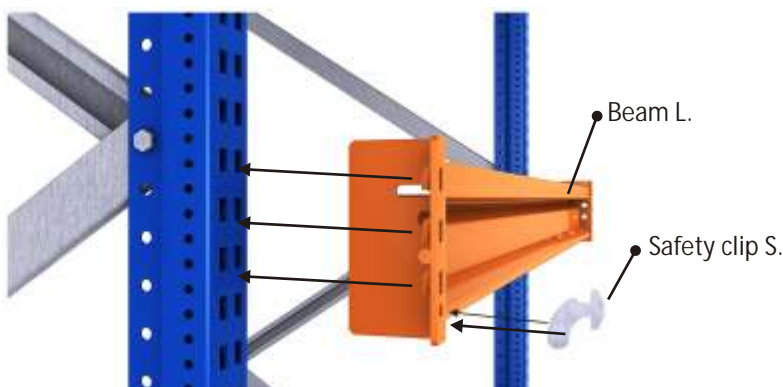


- 4 Fix the base plate to the upright columns (A).

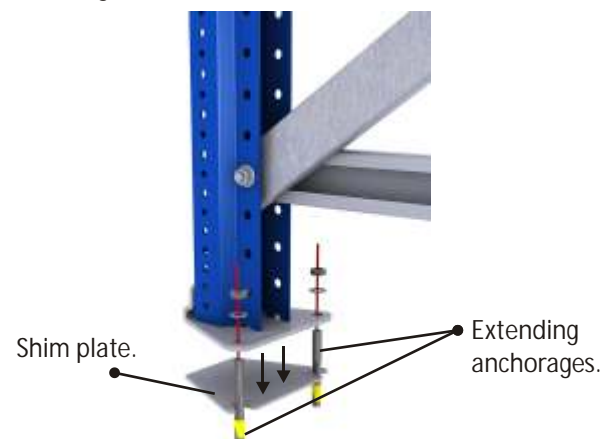


Beams assembly:

- 5 Fit the beams (L) of the different levels in the upright columns and secure them with the safety clip (S).



- 6 Place de structure in the desired place and arrange the shim plates under the base plates. Anchor the frames to the floor using extending anchorages.





SLOTTED ANGLE SHELVING



BOLTLESS SHELVING SYSTEM



PALLET RACKING



DRIVE IN



CANTILEVER



AUTOMATIC WAREHOUSES RACK CLAD BUILDING



DEFENSES & PROTECTIONS



MODULAR GUARDS



METALLIC CONTAINERS

Esnova

C/ Ataúlfo Frieria "Tarfe", Nº 5
 Pol. Ind. Los Campones, Tremañes
 33211 - Gijón (Principado de Asturias - Spain)
 Ph: (+34) 985 308 980 - Fax: (+34) 985 308 981
 Mail: comercial@ideasenmetal.com
 Web: www.esnova.es
 GPS: Longitud: 5°42'6.44"O - Latitud: 43°31'42.75"N



Esnova,
 Member of European
 Federation of Materials
 Handling (FEM/AEM).



- Esnova is certified on the norm UNE EN 1090 CE-Marking
- Esnova is certified for the Quality Management System (ISO 9001)
- Esnova is certified for the Environmental Management System (ISO 14001)
- Esnova is certified for the Occupational Health and Safety Management (OHSAS 18001)